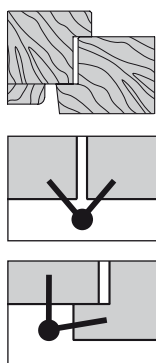


Tria maxi



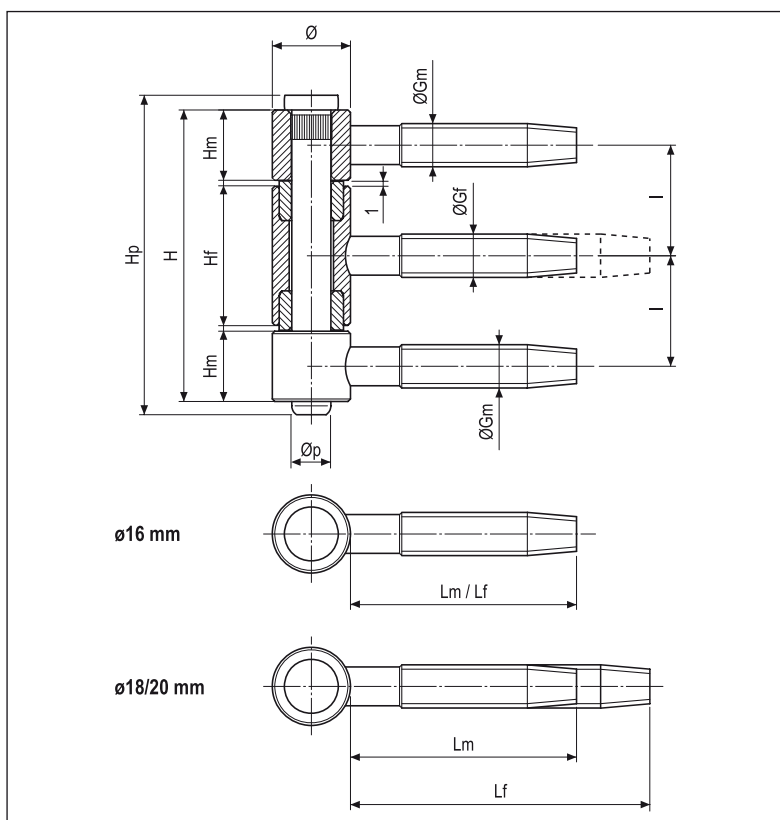
TOOLS FOR THE INSTALLATION (see the "JIGS" chapter)

Installation on the rebated frame

- Guide tooling box article code E00112.XX.01
- Guide tooling kit article code E00144.XX.01
- Single jig article code E00139.XX.03
- Jig rod for windows article code E00136.00.01/02 (r.h./l.h.)
- Jig rod for doors article code E00136.00.05/06 (r.h./l.h.)

Installation on the flush frame

- Guide tooling box article code E00115.XX.01
- Guide tooling kit article code E00138.XX.01
- Single jig article code E00133.XX.01
- Jig rod for windows article code E00136.00.03/04 (r.h./l.h.)
- Jig rod for doors article code E00136.00.07/08 (r.h./l.h.)



Hinges measures

Dimension	Diameter (Ø)		
	16	18	20
H	59,5	62,5	87,5
I	22,5	23,5	33,5
Hm	14,5	15,5	20,5
Hf	28,5	29,5	44,5
Øp	8	9	10
Hp	65	68	93
ØGm	8,8	9,3	9,8
Lm	46	40	45
ØGf	8,8	9,3	9,8
Lf	46	55	60

Order specifications

Material	Article
STEEL	E00170.16.XX
	E00170.18.XX
	E00170.20.XX

NB. Refer to the price list in force to check the availability of the finishes.